

TREATMENT LUMINAIRES TRIANGO 80

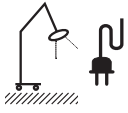
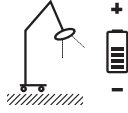




Ceiling



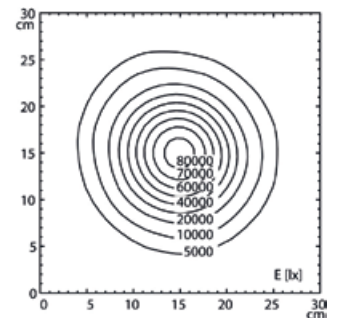
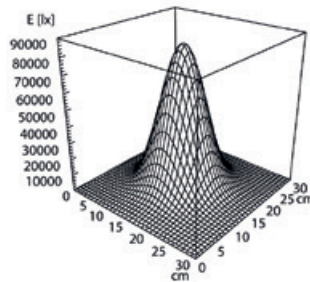
Wall


 Roller stand
Cable

 Roller stand
Battery

Even better: We have further optimized the proven TRIANGO 30. This luminaire is now called TRIANGO 80 and is suitable for minor interventions. Illuminance has been increased to 80,000 lux at a distance of one metre. The light field diameter has also been increased to 18 cm. A newly developed optical system provides bright and homogeneous illumination of the treatment and examination area. The new linkage enables simple and accurate alignment of the luminaire head. The special handle allows right- and left-handed users to easily position the lamp.



reddot winner 2020



TRIANGO 80 technical data

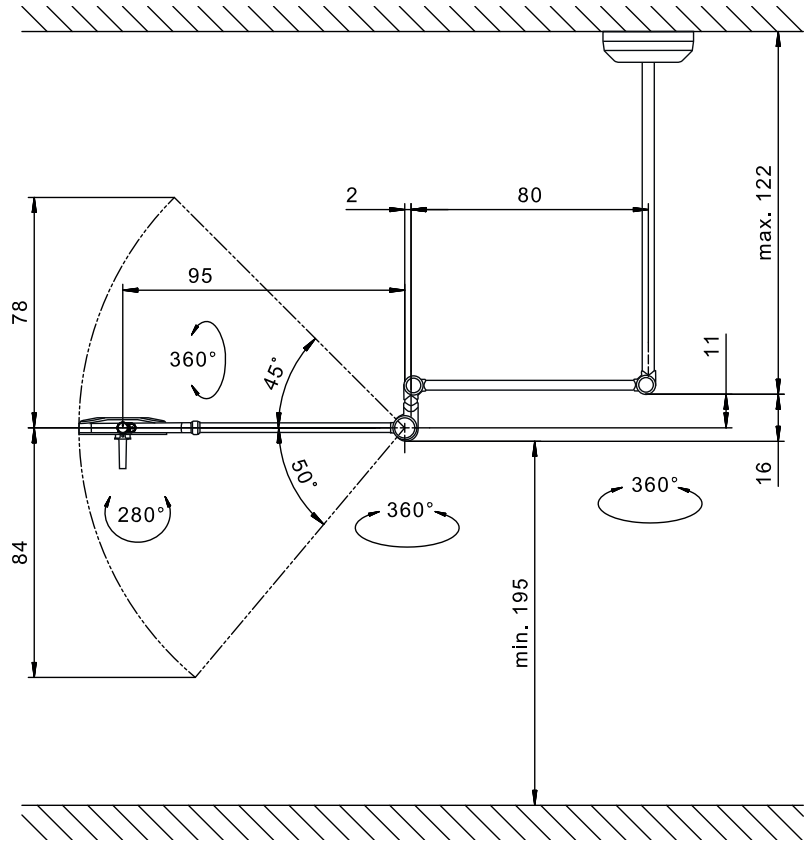
Luminous power *	80 000 lux @ 1.0 m
Color temperature *	4500 K
Illuminance field @ 1.0 m *	Ø 18 cm
Depth of illumination	1.2 m
Color rendering index Ra	95
Usage	control knob on the luminaire head
Accessories	sterilizable hand grip, disposable grip cover, intermediate ceiling adapter
Class of protection	I
Norms	EN 60601-1, EN 60601-2-41
System of protection	IP 43 (luminaire head)
Special features	continuous dimming, maintenance-free



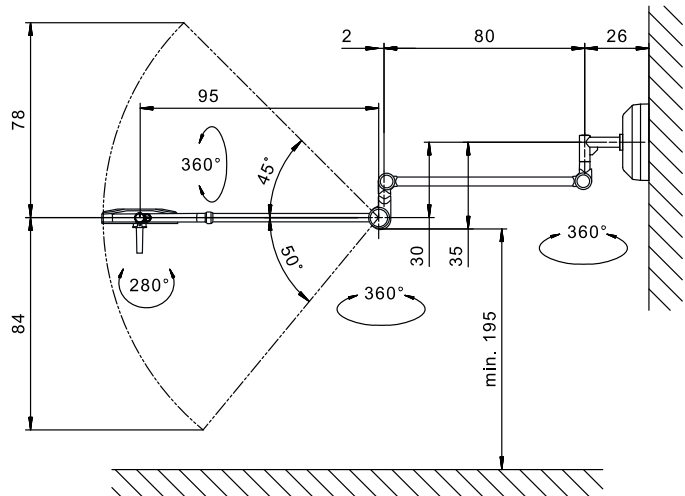
derungs.swiss/triangoo80

* -10% / +20% toleranz

TRIANGO 80



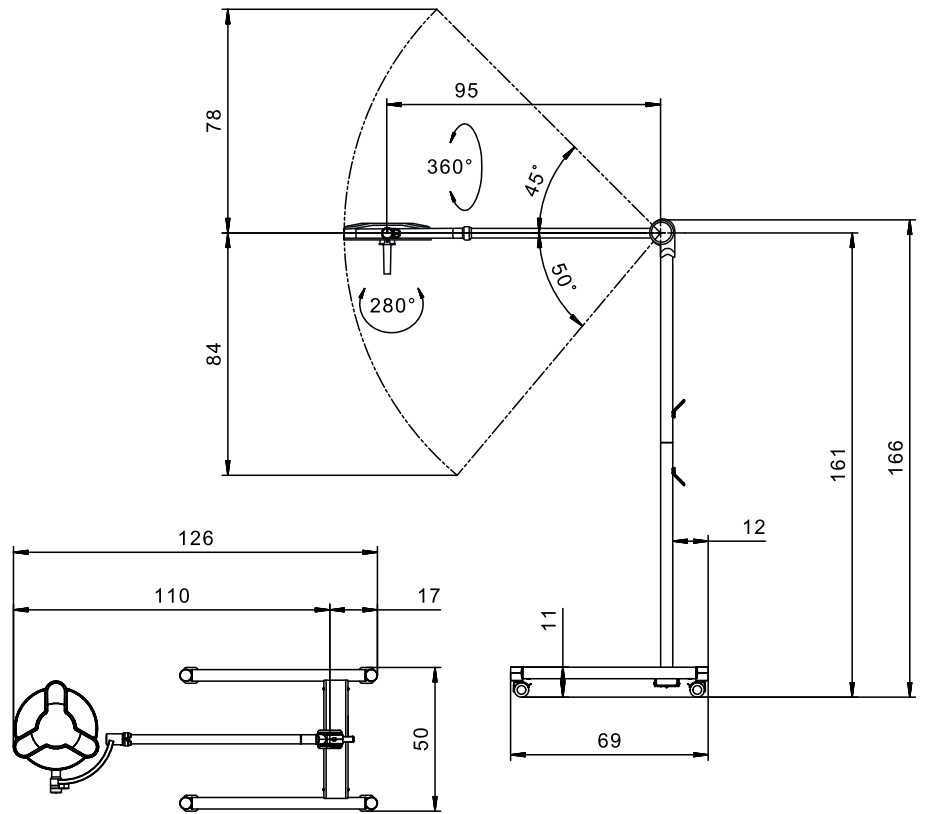
TRIANGO 80 – CEILING VERSION	Connection	Special features	Order No.
TRIANGO 80-1 C	direct power supply	dimnable	D16.131.000-808951



TRIANGO 80 – WALL VERSION	Connection	Special features	Order No.
TRIANGO 80-1 W	direct power supply	dimnable	D16.136.000-808986



Roller stand



TRIANGO 80 – Roller stand	Connection	Special features	Order No.
TRIANGO 80-1 F	3.0 m cable, Schuko	dimnable	D16.132.000-808982 - Schuko D16.133.000-808983 - CH D16.134.000-808984 - UK

Other plugs are available on request.

